

Details Electric Adjustable Table Easy Order Form

To place order, complete this form and

Fax to 616.475.2022

Contact's Name:		BLU/PRO Card Info (or) PO number with Hard Copy attached:	
Contact's Phone #:		Ship to: (Dept & Delivery address)	
Card Holder's Name:			
Billing Phone #:		Billing Address:	
Signature Authorization:		Today's Date:	

Matching Funds: please provide email address/fax # for proforma invoice:

Item	Qty	Item No.	Description	Price*
Rectangular - Electric Adjustable				
1		A7RQ342929U	Details 29" deep x 34" wide rectangular adjustable table with electric column	\$1,171.30
2		A7RQ342323U	Details 23" deep x 34" wide rectangular adjustable table with electric column	\$1,127.10
3		A7RQ462929U	Details 29" deep x 46" wide rectangular adjustable table with electric column	\$1,207.76
4		A7RQ462323U	Details 23" deep x 46" wide rectangular adjustable table with electric column	\$1,160.25
5		A7RQ582929U	Details 29" deep x 58" wide rectangular adjustable table with electric column	\$1,244.23
6		A7RQ582323U	Details 23" deep x 58" wide rectangular adjustable table with electric column	\$1,196.71
7		A7RQ702929U	Details 29" deep x 70" wide rectangular adjustable table with electric column	\$1,281.25

Please select the following finishes: Laminate: _____ & Base Finish: Platinum #4799 or Black #835

90 Degree - Electric Adjustable				
8		A7LQ46234623U	Details 46x46x23 corner adjustable table with electric column	\$1,747.56
9		A7LQ58235823U	Details 58x58x23 corner adjustable table with electric column	\$1,958.61
10		A7LE58237023U	Details 58x70x23 right hand extended corner adjustable table with electric column	\$2,018.28

Please select the following finishes: Laminate: _____ & Base Finish: Platinum #4799 or Black #835

Bi-Level Corner - Electric Adjustable				
11		X10597U	Details 22.25" deep x 45.25" wide 90 degree corner bi-level adjustable table with electric column	\$1,651.97

Please select the following finishes: Laminate: _____ & Base Finish: Platinum #4799 or Black #835

****Please contact Melanie Boggan @ 510.729.7855 with questions**

Note: These tables can also be customized to fit the dimensions of your office.

***Prices include freight/delivery and installation but do not include tax.**

Delivery time is 4 - 6 weeks

Pricing effective 09/06/08 - 09/06/09 (prices subject to change)

UC WORK ORDER NUMBER

Electric tables adjust from 24.25" to 52"

Rectangular

90 Degree

Details & Steelcase Crank Adjustable Table Easy Order Form

To place order, complete this form and
Fax to 616.475.2022

Contact's Name:	BLU/PRO Card Info (or) PO number with Hard Copy attached:
Contact's Phone #:	Ship to: (Dept & Delivery address)
Card Holder's Name:	
Billing Phone #:	Billing Address:
Signature Authorization:	Today's Date:

Matching Funds: please provide email address/fax # for proforma invoice:

Item	Qty	Item No.	Description	Price*
Rectangular - Crank Adjustable				
1		A3RQ462323U	Details 23" deep x 46" wide rectangular crank adjustable table	\$597.80
2		A3RQ462929U	Details 29" deep x 46" wide rectangular crank adjustable table	\$698.36
3		A3RQ582323U	Details 23" deep x 58" wide rectangular crank adjustable table	\$634.82
4		A3RQ582929U	Details 29" deep x 58" wide rectangular crank adjustable table	\$741.45

Please select the following finishes: **Laminate:** _____ & **Base Finish: Platinum #4799 or Black #835**

90 Degree - Crank Adjustable				
5		A3LQ58235823U	Details 58x58x23 corner crank adjustable table	\$1,072.40

Please select the following finishes: **Laminate:** _____ & **Base Finish: Platinum #4799 or Black #835**

Dual Surfaces - Crank Adjustable				
6		Q9CKDS45	S9000 Dual Straight Worksurface, 43" wide Adjusts 26 3/8" to 39 3/4" high Front section of table adjusts 5" below and 6" above rear worksurface	\$866.09

Please select the following finishes: **Laminate:** _____ & **Textured Base Finish:** _____

7		UCKDC48	STC Dual Corner Worksurface, 45 1/4" wide Front section of table adjusts 5" below and 6" above rear worksurface	\$892.88
---	--	---------	--	----------

Please select the following finishes: **Laminate:** _____ & **Textured Base Finish:** _____

****Please contact Melanie Boggan @ 510.729.7855 with questions**

Note: These tables can also be customized to fit the dimensions of your office.

***Prices include freight/delivery and installation but do not include tax.**

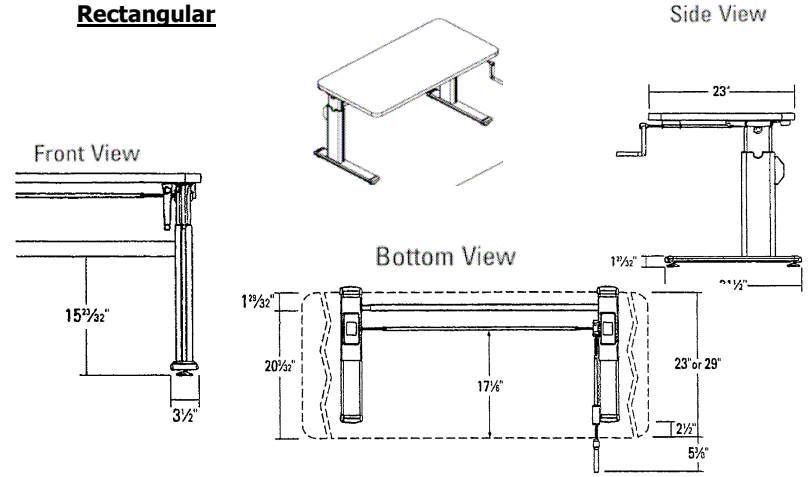
Delivery time: 4 - 6 weeks

Pricing effective 09/06/08 - 09/06/09 (prices subject to change)

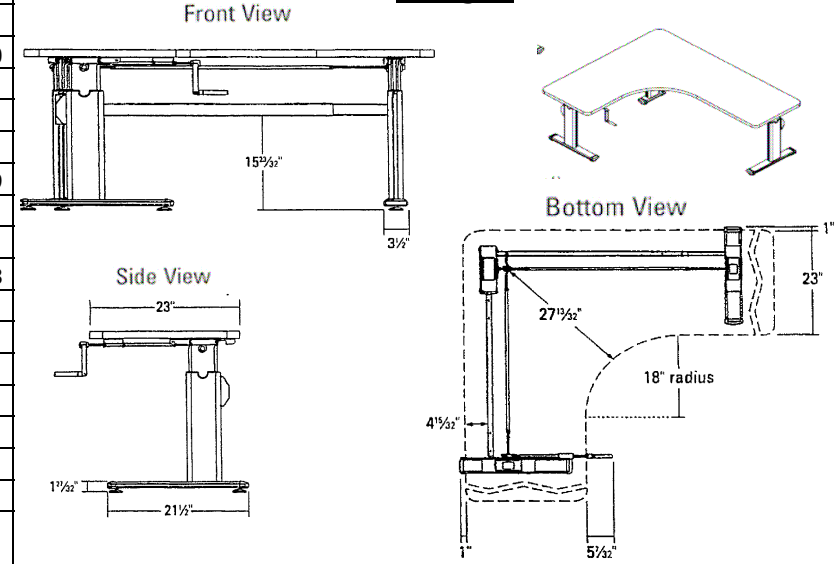
UC WORK ORDER NUMBER

Height Adjustment range: From 22" To 34"

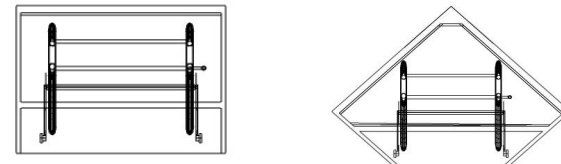
Rectangular



90 Degree



Dual Surface Crank Adjustable



Adjusts 26 3/8" to 39 3/4" high
Attached keyboard adjusts 5" below and 6" above rear worksurface